

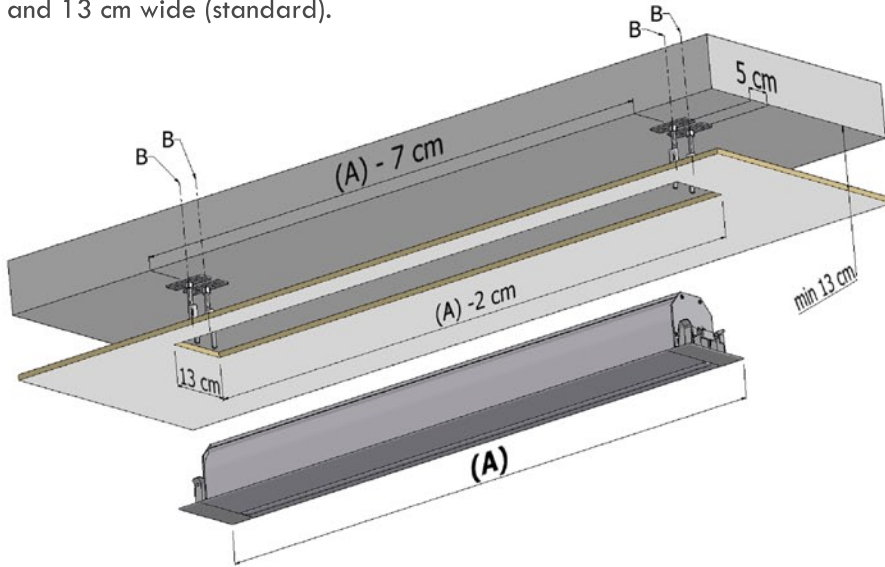
IN-CEILING SCREENS: INSTALLATION



IMPORTANT

- Use screws and other hardware suitable for your type of ceiling, as these are different for wood, concrete or other material.
- The space between the false and real ceiling should be at least 13 cm, this for the screen to fit in between.

1. Start by cutting out a hole in your false ceiling as shown below. Subtract 2 cm of the total length of the casing including cover plate (A), to determine the length of the cut-out. The width of the cut-out is 13 cm and does not change with larger or smaller screens. E.g. if the case size including cover plate is 197 cm, the opening in the false ceiling should be 195 cm long, and 13 cm wide (standard).



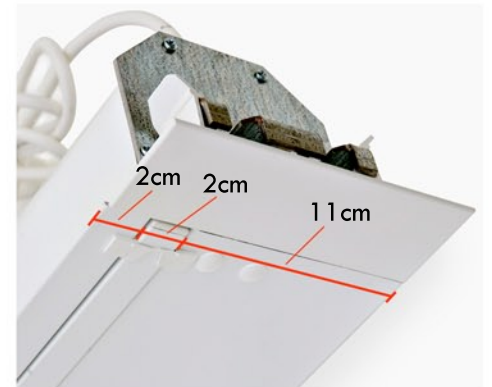
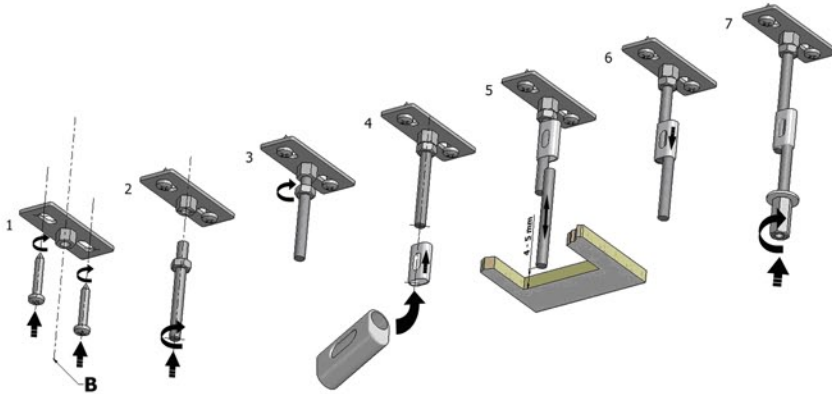
Install the fixing plates using the measurements as shown on the left.

Fixing plates are placed in pairs on both sides, with 5 cm of space between the central points.

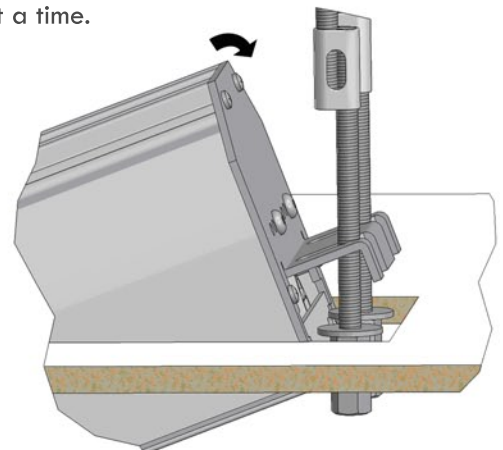
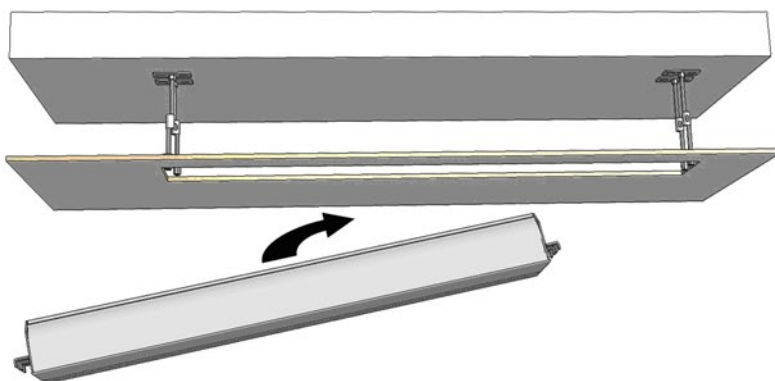
Subtract 7 cm of the total length of the casing (including cover plate) to determine the distance between the fixing plates.

E.g. For a casewidth of 197 cm, the distance between fixation points should be 190 cm.

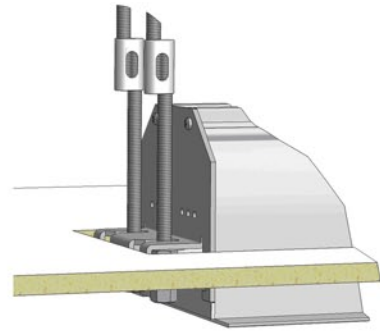
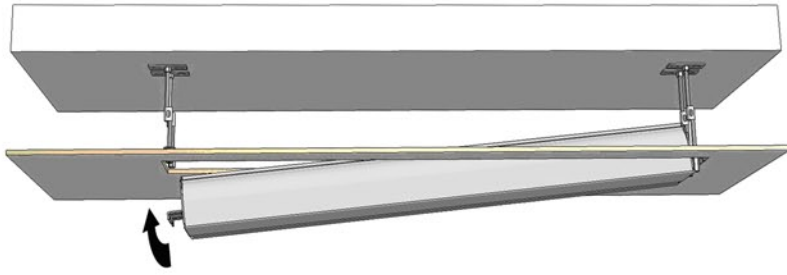
2. The fixing plates should be assembled as shown below.



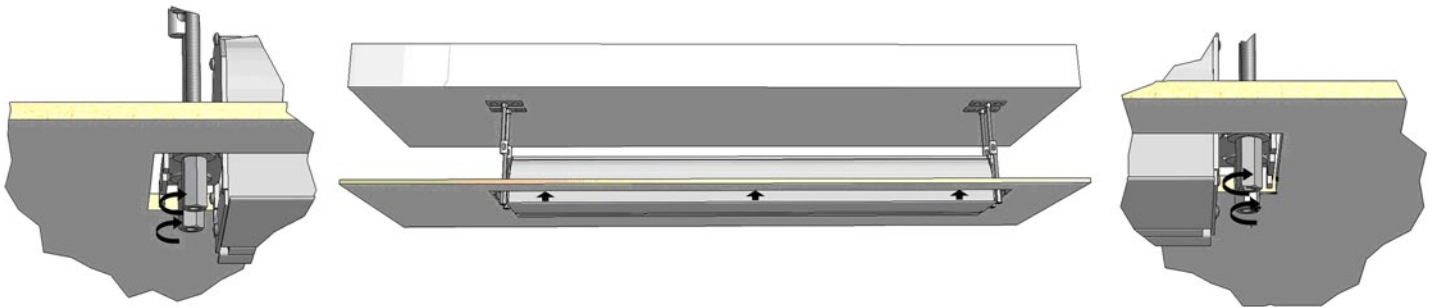
3. Slide the screen through the opening, onto the fixation plates, one side at a time.



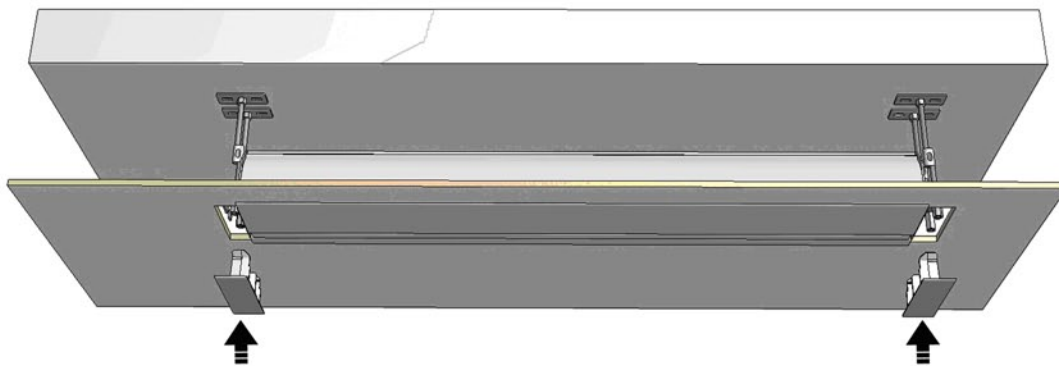
4. Proceed with mounting the other side of the screen.



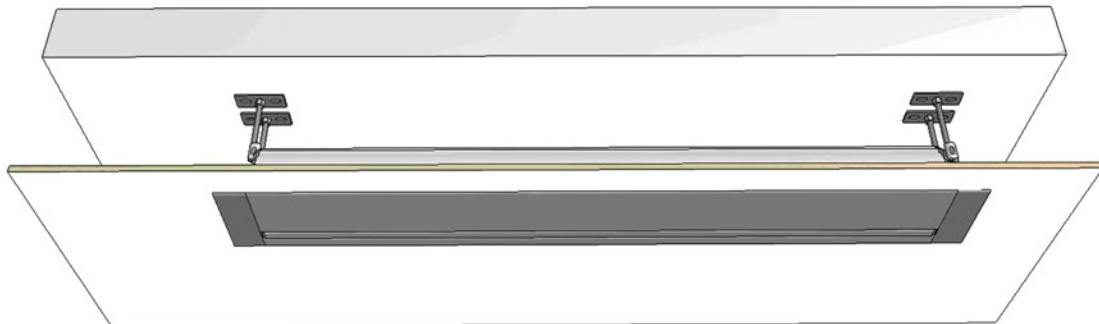
5. To make the screen flush with your ceiling, you need to turn the bolts to adjust the height of the screen casing. **MAKE SURE THE SCREEN IS LEVEL!**



6. Put the parts of the cover plate in place to hide the fixation brackets.



7. The installation is complete.



CONNECTION PLAN

Use the following plan to connect your screen. Beamax recommends that you arrange for this job to be done by a qualified electrician.

NB: if you have bought the optional remote control, follow the connection plan as indicated in the remote control manual.

Screen cable:

Brown: 4

Black: 3

Yellow/Green: Yellow/Green lighting mains cable connection via connector block.

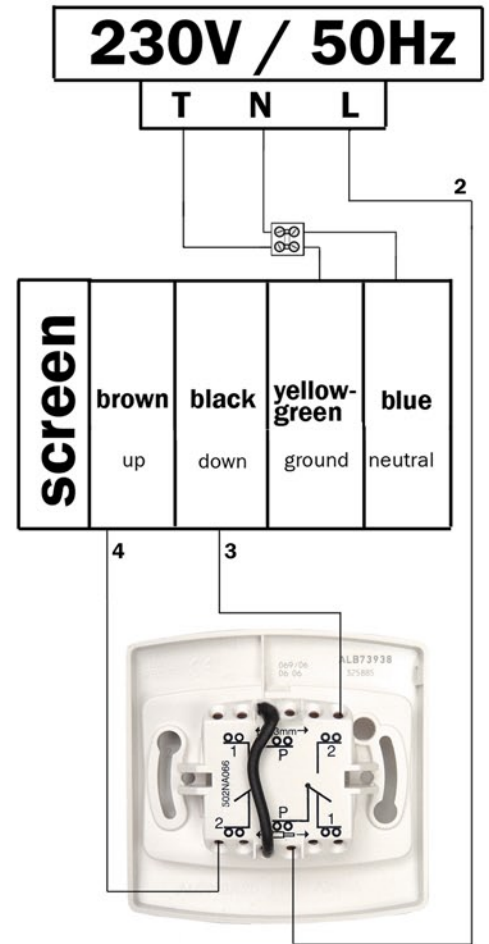
Blue: Blue lighting mains cable connection via connector block.

Lighting mains cable:

Brown: 2

Yellow/Green: Yellow/Green screen cable connection via connector block.

Blue: Blue screen cable connection via connector block



GUARANTEE

The guarantee cover on the Beamax M-series is 2 years. The guarantee ceases to apply if the screen is not installed correctly, opened, or used for any purpose other than that for which it is designed.

Electrical installation should be carried out by an electrician. The guarantee is likewise forfeited if the seals are broken or if the screen is opened.

PROJECTION

Projection quality depends on many factors and will vary in different surroundings. Beamax cannot offer any guarantee regarding perceived projection quality.

Changes may be made without prior notice.